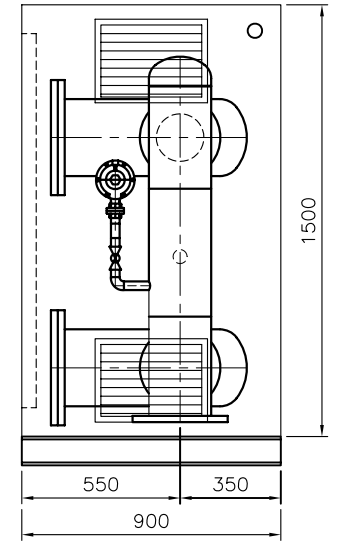
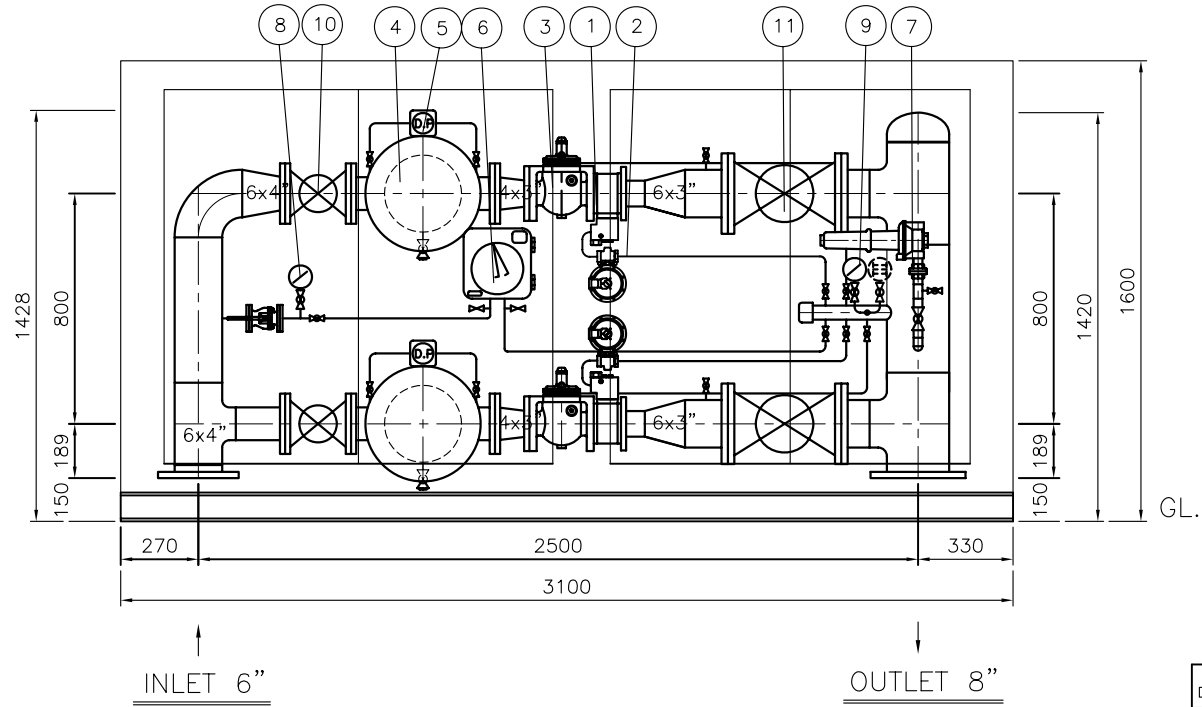



NO	DESCRIPTION	SIZE	Q'TY	REMARKS
1	A.F.V(ANSI300#)	3"	2	A. M. C
2	1203 PILOT	3/4"	2	A. M. C
3	S.S.V (S-100)	3"	2	JEAVONS
4	FILTER (G2.5, HFH, 1MPa)	4"	2	SE JONG
5	D.P GAGUE (0-70kPa)	1/4"	2	SE JONG
6	RECORDER (1-0.1MPa, 7D)	2PEN	1	SE JONG
7	J48KH RELIEF	1"	1	JEAVONS
8	PRESSURE GAUGE (0-1.5MPa)	ø100	1	WOO JIN
9	PRESSURE GAUGE (0-0.1MPa)	ø100	1	WOO JIN
10	BALL VALVE (1MPa)	4"	2	TAI YANG
11	BALL VALVE (1MPa)	6"	2	TAI YANG

HOUSING
 1.MAT'L:SUS 304 1.2t
 2.SIZE:3100Lx900Wx1500H
 3.DOOR:전면2개소.
 4.환기구:350x250 (좌,우 4개소)



DWG: K.K.S	PROJECT TITLE	DATE	SCALE	P/SCALE	DWG NO.
DES:	DATE	REVISION	DWG	DES	CHK
CHK:	TITLE				
APPD:	AFV-3HM GOVERNOR STATION				
 世宗에이엠씨株式會社 SEJONG-EMC CORPORATION					