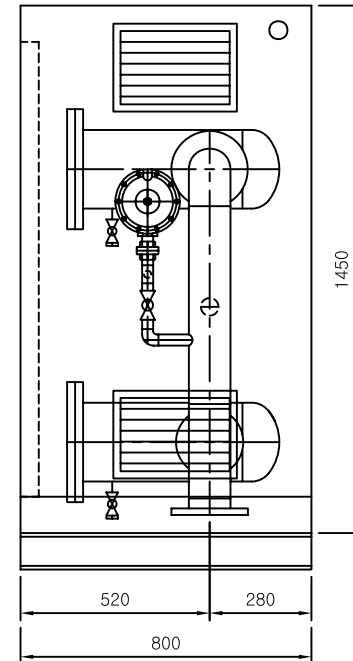


NO	DESCRIPTION	SIZE	Q'TY	REMARKS
1	A.F.V (ANSI300#)	2"	2	A. M. C
2	1203 PILOT	3/4"	2	A. M. C
3	OPSO VALVE	2"	2	A. M. C
4	FILTER (G2.0, HFH, 1MPa)	3"	2	SE JONG
5	D.P GAUGE (0-70kPa)	1/4"	2	SE JONG
6	RECORDER (1MPa-10kPa, 7D)	2PEN	1	SE JONG
7	J48KL RELIEF	1"	1	JEAVONS
8	PRESSURE GAUGE (0-1.5MPa)	∅100	1	WOO JIN
9	PRESSURE GAUGE (0-10kPa)	∅100	1	WOO JIN
10	BALL VALVE (1MPa)	3"	2	TAI YANG
11	BALL VALVE (1MPa)	4"	2	TAI YANG

HOUSING

- MAT'L : SUS304, 1.2t
- SIZE : 2400Lx800Wx1450H
- DOOR : 전면 (1개소)
- 환기구 : 300x200 (4개소)



DWG: K.S.K	PROJECT TITLE	DATE	SCALE	P/SCALE	DWG NO.
DES: N.G.K	DATE	REVISION	DWG	DES	CHK
CHK: Y.K.P					
APPD: J.G.R					
TITLE		2004. 02. 18.	1/10	A-2	DH0104049-1
AFV-2HM GOVERNOR STATION (3x4")					
SAMCO		世宗에이엠씨株式會社 SETONG-AMC CORPORATION			